

1-877-903-7246

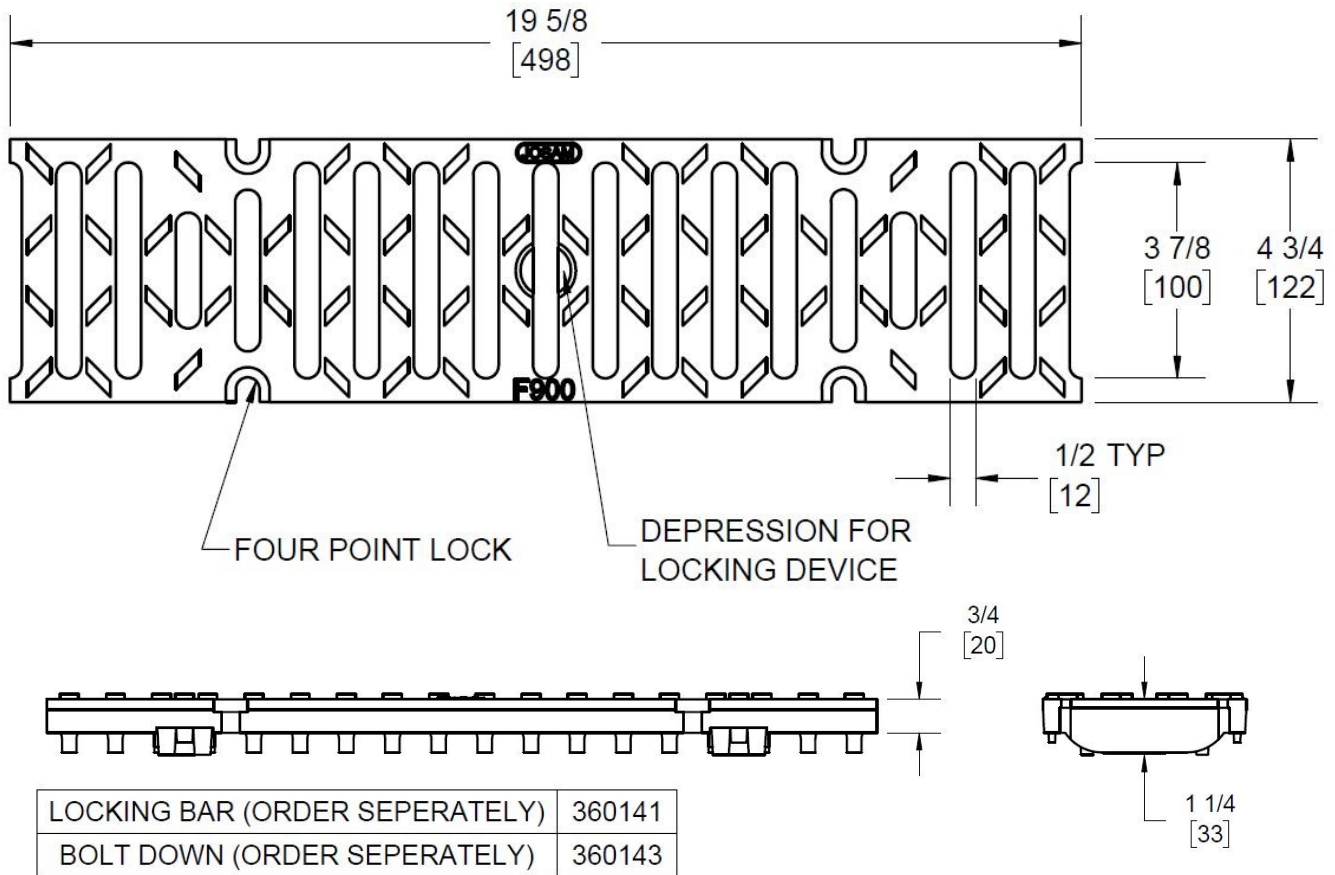


www.trenchdrainsupply.com

<b>Number</b>  <p style="text-align: center;"><b>100-DIS-F</b></p>	<b>Series</b>  <p style="text-align: center;"><b>CPS100</b> F Class Ductile Iron Slotted Grate Pro Plus 100</p>
--	---



**NOTE:**  
FREE AREA IS 28.6 SQ. IN.  
PER 1/2 METER GRATE



**Manufacturer**



**Specification**

JOSAM 100-DIS-F EPOXY COATED, DUCTILE IRON SLOTTED GRATE WITH CENTER HOLE FOR LOCKING BAR SECUREMENT AND FOUR POINT LOCK SECUREMENT. MEETS CLASS F LOADING REQUIREMENTS. MEETS ADA SLOT REQUIREMENTS. SUPPLIED BY TRENCH DRAIN SUPPLY.

DISCLAIMER - The customer and the customer's architects, engineers, consultants, and other professionals are completely responsible for the selection installation and maintenance of any product purchased from Trench Drain Supply and/or its manufacturers. TRENCH DRAIN SUPPLY MAKES NO WARRANTY, EXPRESS OR IMPLIED, AS TO THE SUITABILITY, DESIGN, MERCHANTABILITY, OR FITNESS OF THE PRODUCT FOR CUSTOMERS APPLICATION. The drawing and information provided remain the property and copyright of the manufacturer listed. The manufacturer reserves the right to modify specification without notice.